







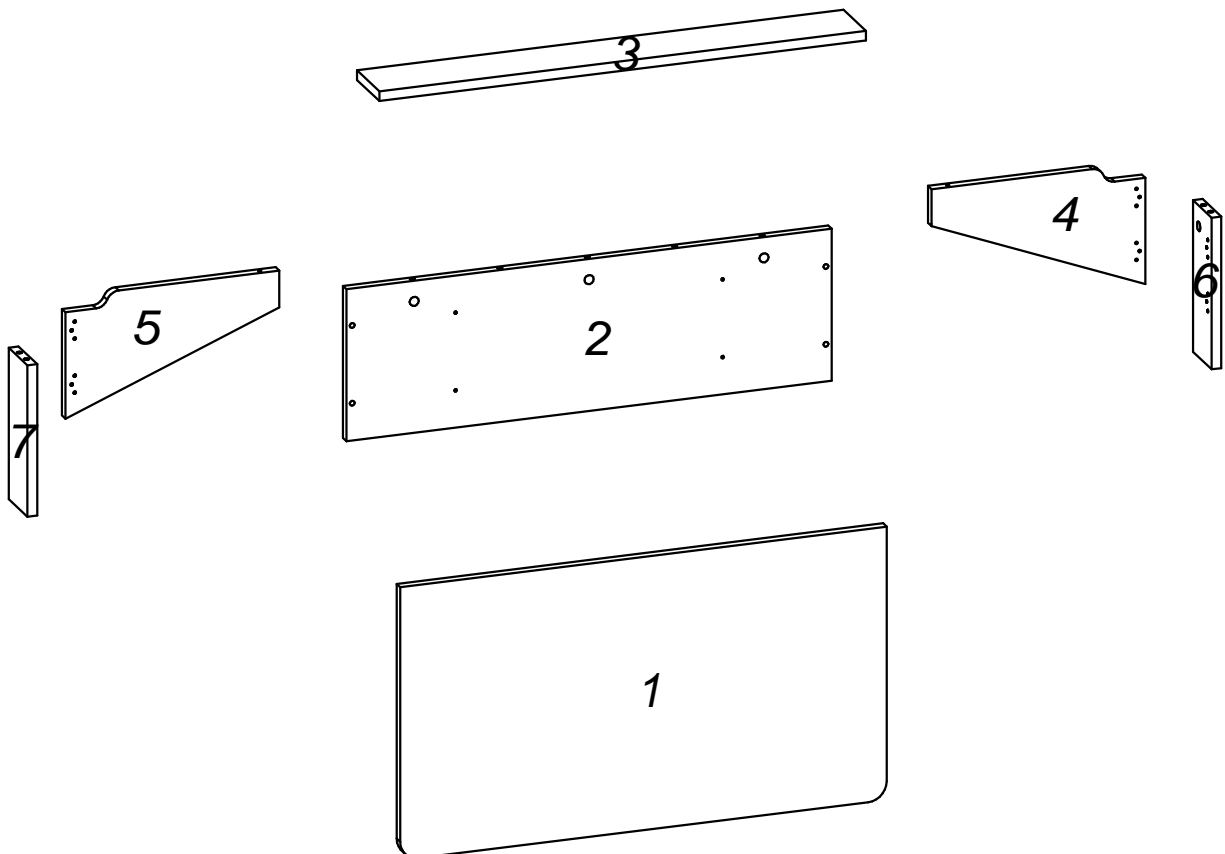
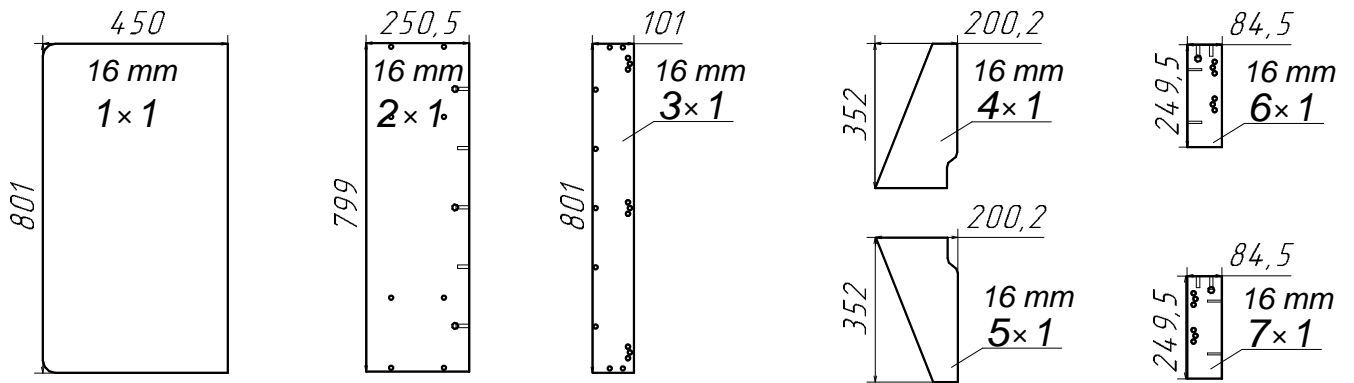
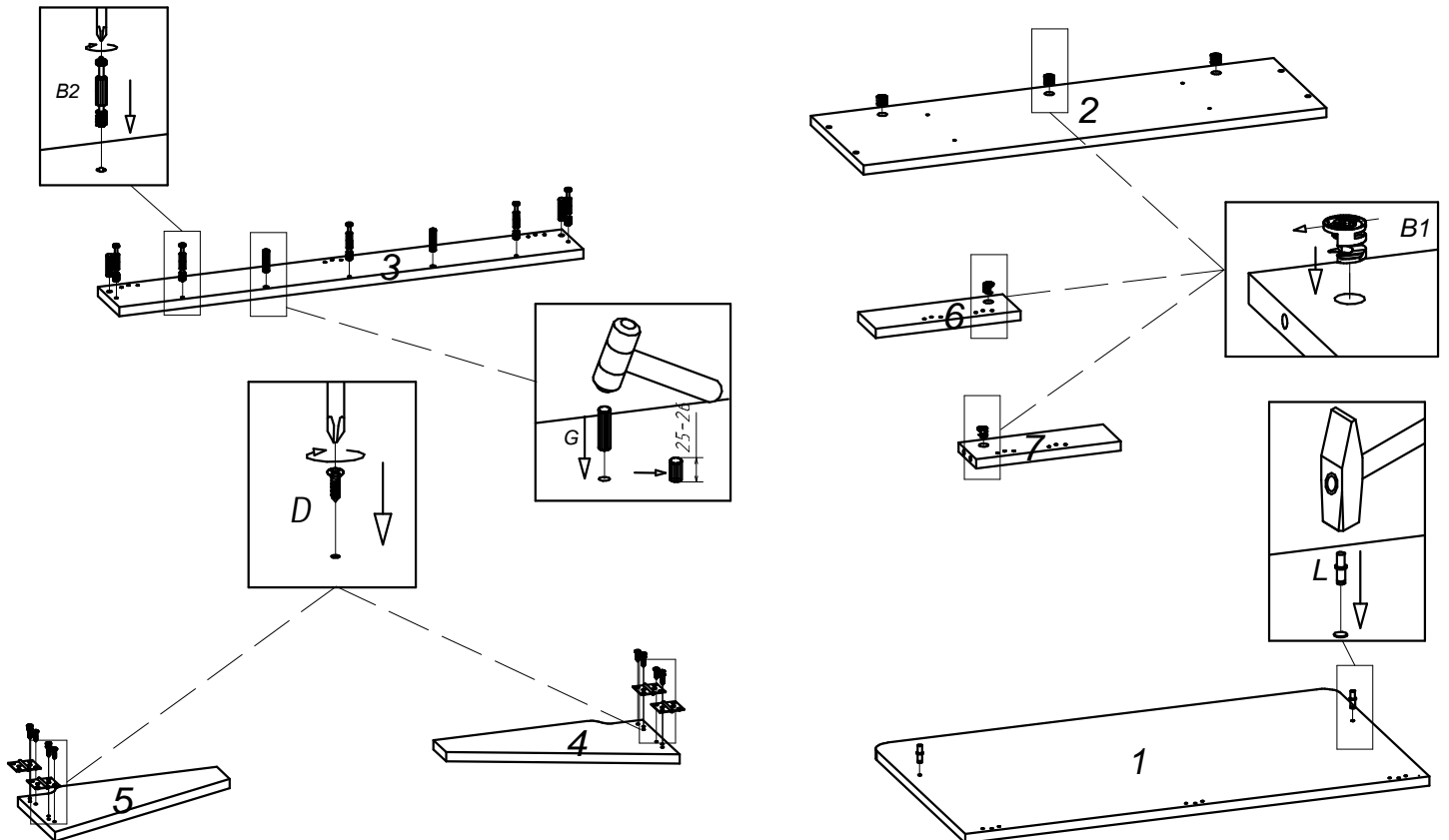
 $\varnothing 6,3 \times 50 \text{ mm}$ A1 x 4	 4 mm A3 x 1	 $\varnothing 15 \times 12 \text{ mm}$ B1 x 5	 $\varnothing 5 \times 44 \text{ mm}$ B2 x 5	 $\varnothing 20 \text{ mm}$ B3 x 5
 $\varnothing 4 \times 16 \text{ mm}$ D x 42	 $\varnothing 8 \times 36 \text{ mm}$ G x 4	 L x 2	 S x 7	



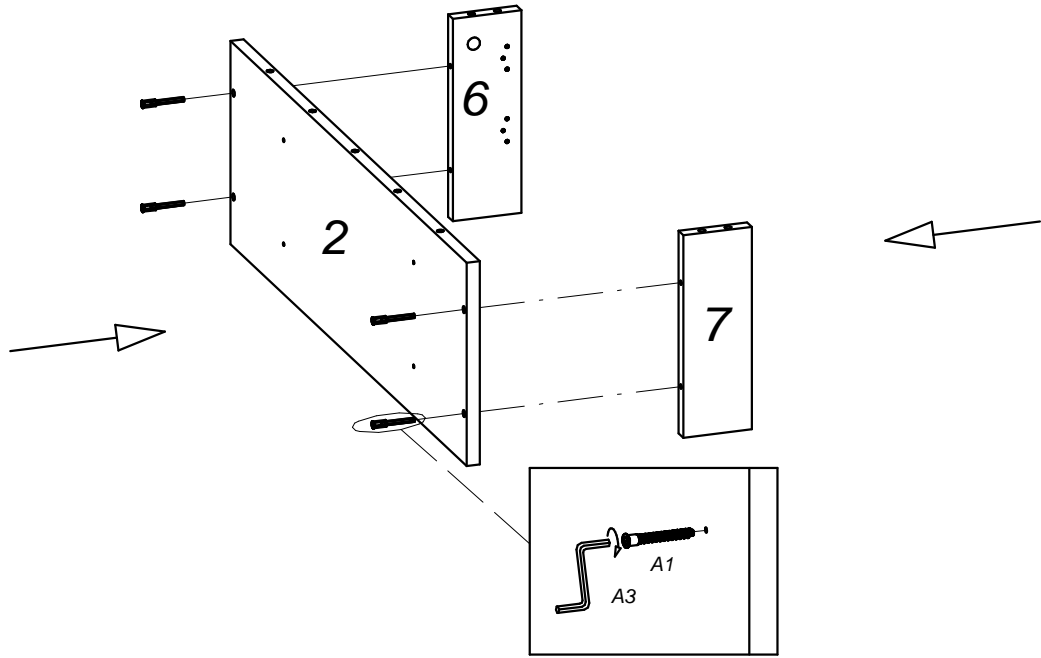
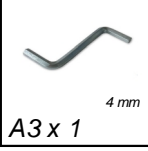
Box 1 / 1



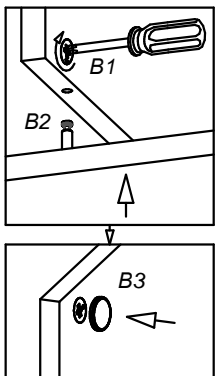
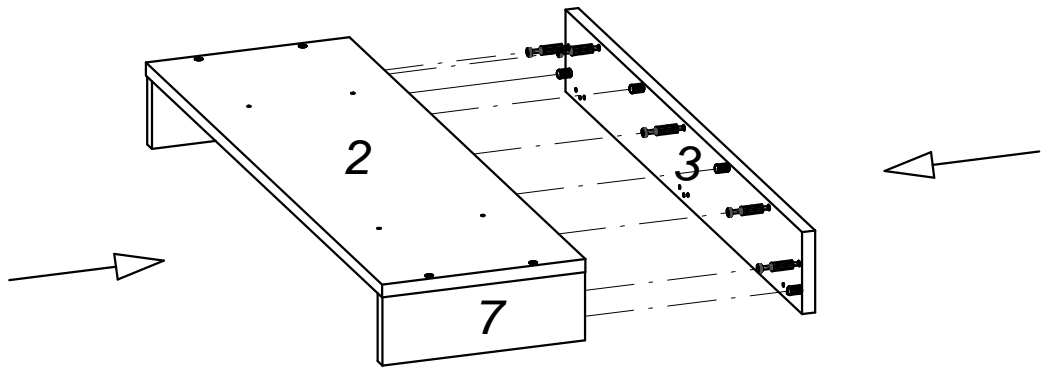
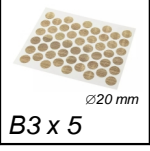
- | | | | | | | | | | |
|----------|-------------------------|------------------------|------------------------|-----------------------|-----------|-----------|--|--|--|
| 1 |
∅15x12 mm
B1 x 5 |
∅5x44 mm
B2 x 5 |
∅4x16 mm
D x 12 |
∅8x36 mm
G x 4 |
L x 2 |
S x 4 | | | |
|----------|-------------------------|------------------------|------------------------|-----------------------|-----------|-----------|--|--|--|



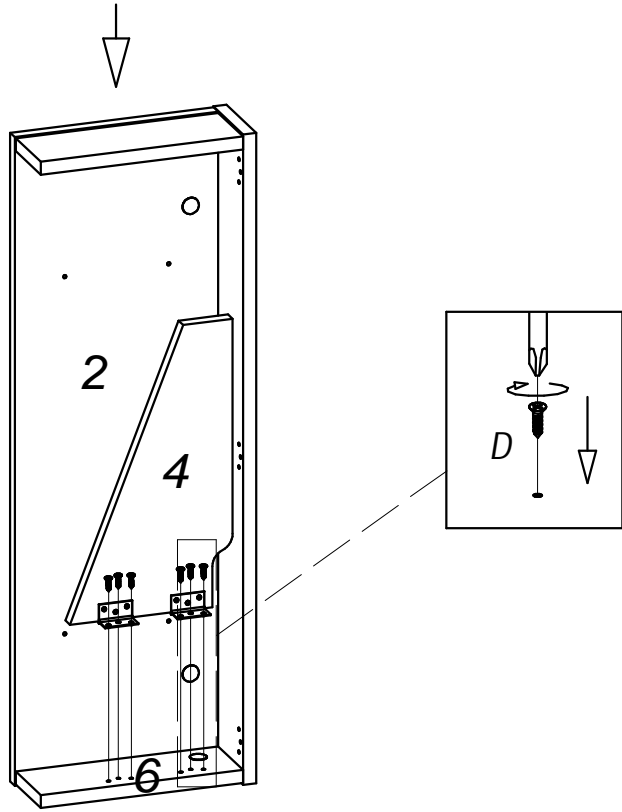
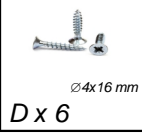
2



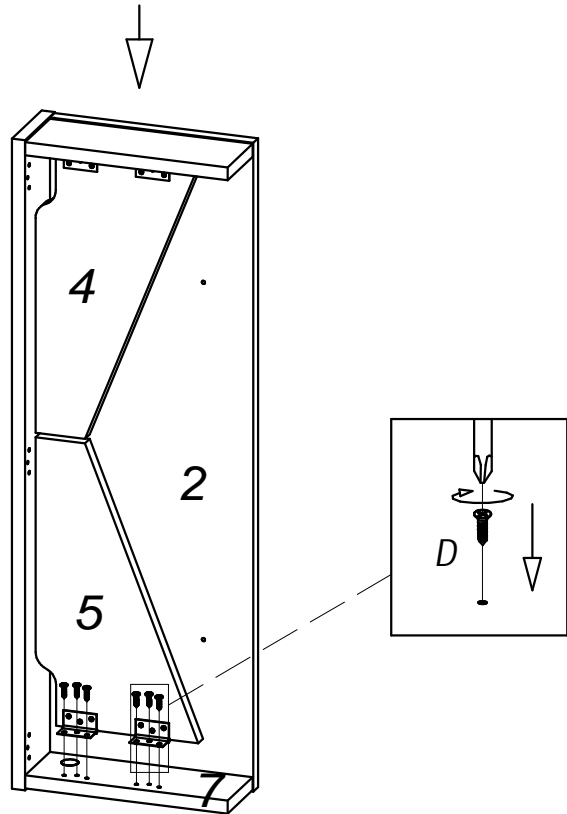
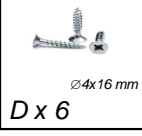
3



4




5



6


Ø4x16 mm
D x 18


S x 3

